

**15 lb Capacity Stainless Steel Ground Meat Kabab Maker
 Assembly and Operation Instructions**

Thank you very much for choosing a Kabab-O-Matic© product! Save the receipt and these instructions. It is important that you read the entire instruction sheet to become familiar with this product before you begin using it.

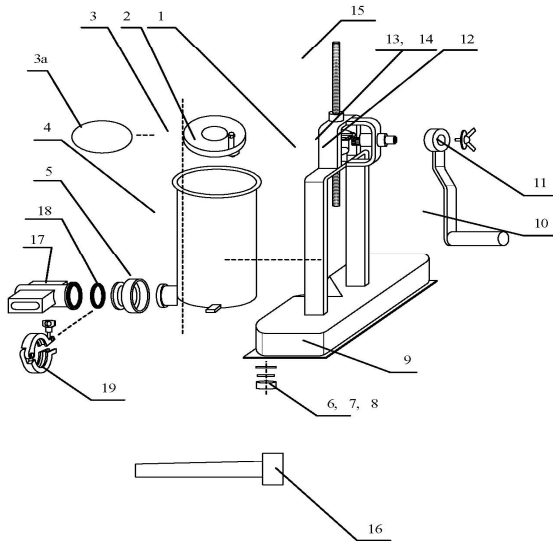
Before using the kabab maker, please read the following instructions carefully:

Introduction

The machine has a strong structure and is efficient in putting any type of ground meat on a shish (skewer) quickly and effortlessly. It is easy to operate and easy to clean.

For technical questions and replacement parts, please call **773-852-3603**.

Structure and parts numbers



Parts List

Item Number	Description	Quantity (pcs)
1	Frame	1
2	Relief Valve	1
3	Piston	1
3a	O-ring 180*5.3 GB3452.1-92	1
4	Cylinder	1
5	End Nut	1
6	Nut 7/8"-16	2
7	Washer Gasket GB/T93 22	2
8	Washer Gasket	2
9	Base	1
10	Handle	1
11	Screw	1
12	Pinion Gear	1
13	Copper Washer	1
14	Main Gear	1
15	Threaded rod Tr25*12(p6)	1
16	3set stuffer	3 (Accessory)
17	Skewer mold	1
18	Washer gasket	1
19	C clamp	1

Kabab-O-Matic©

Manufacturer and Distributor of Kabab Makers

7334 N. Kolmar Avenue
Lincolnwood, IL 60712
U.S.A.
Phone: 773-852-3603
www.kababomatic.com

How to use it?

- a. Wash and clean the parts.
- b. Equip the handle with the nut, then circle the handle counter-clockwise so that the piston can get out of the cylinder.
- c. Take out cylinder and put no more than 15 lbs of meat in it.
- d. Put the cylinder back.
- e. Circle the handle clockwise so that the piston is going INTO the cylinder. The meat will then travel into the mold where your shish (skewer) goes in to create the perfect kabab...every time!
- f. After all of the meat in the cylinder has been used, circle the handle counter-clockwise to bring the piston back out of the cylinder.
- g. Now you can take the cylinder out and clean it in the sink or dishwasher.
- h. Wipe the body of the entire apparatus.

This machine is also able to make sausage. Remove the end nut (c) from the skewer mold and insert the plastic sausage stuffer tube of your choice (3 sizes provided). Finally, link the casing to the tube. Now, you can make sausage just as easily as you make the perfect kabab!